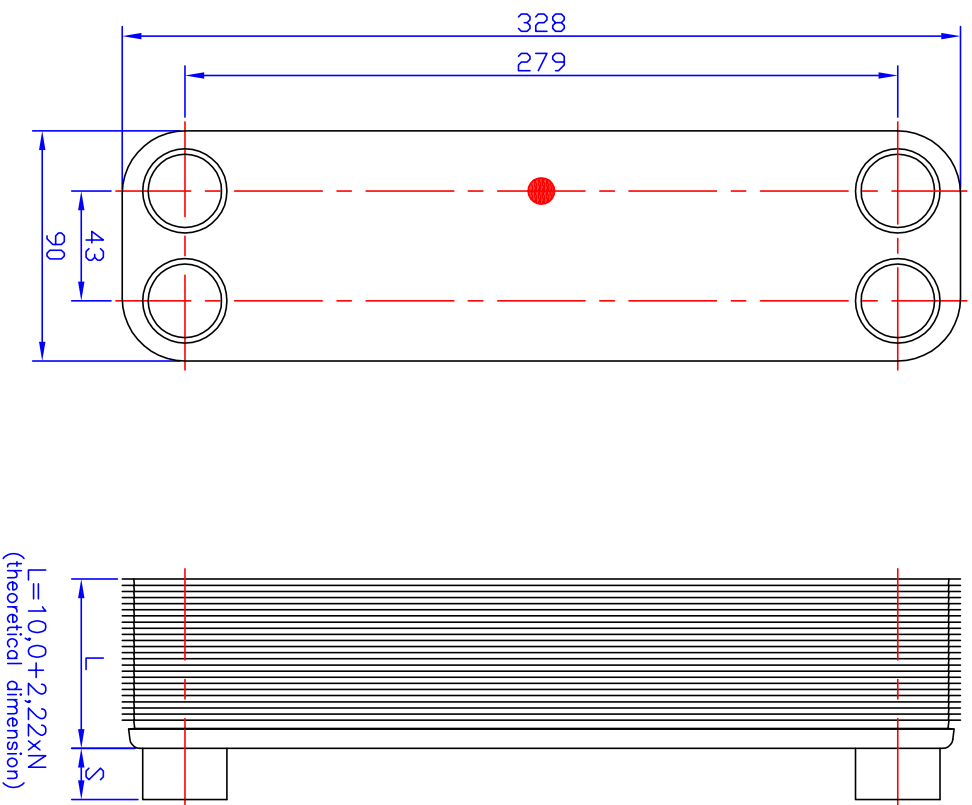


Primary Secondary



Standard Connections		Length	Primary	Secondary
C-PTL	Size			
External Thread				
B	G1/2	S=20mm	<input type="checkbox"/>	<input type="checkbox"/>
C	G3/4	S=20mm	<input type="checkbox"/>	<input type="checkbox"/>
E	G1	S=20mm	<input type="checkbox"/>	<input type="checkbox"/>
Internal Thread				
OZ	G1/2	S=20mm	<input type="checkbox"/>	<input type="checkbox"/>
P	G3/4	S=20mm	<input type="checkbox"/>	<input type="checkbox"/>
Solder Connections				
NO	3/8" (ø9,9mm)	S=20mm	<input type="checkbox"/>	<input type="checkbox"/>
TZ	ø 10,3 mm	S=20mm	<input type="checkbox"/>	<input type="checkbox"/>
M	1/2" (ø13,0mm)	S=20mm	<input type="checkbox"/>	<input type="checkbox"/>
TX	ø 15,3 mm	S=20mm	<input type="checkbox"/>	<input type="checkbox"/>
O	5/8" (ø16,3mm)	S=20mm	<input type="checkbox"/>	<input type="checkbox"/>
TU	ø 18,3 mm	S=20mm	<input type="checkbox"/>	<input type="checkbox"/>
N	3/4" (ø19,5mm)	S=20mm	<input type="checkbox"/>	<input type="checkbox"/>
H	7/8" (ø22,35mm)	S=20mm	<input type="checkbox"/>	<input type="checkbox"/>
I	ø 28,35 mm	S=20mm	<input type="checkbox"/>	<input type="checkbox"/>
IA	1 1/8" (ø 28,7mm)	S=20mm	<input type="checkbox"/>	<input type="checkbox"/>
Additional Connections Backplate (Internal Thread)				
OZ	G 1/2	S=20mm	<input type="checkbox"/>	<input type="checkbox"/>
Other Connections on Inquiry!				

No. of Plates	8	10	14	20	24	30	34	40	44	50
Weight Empty (kg)	1,9	2,1	2,4	2,9	3,2	3,7	4,0	4,5	4,8	5,3
Surface (m ²)	0,15	0,20	0,31	0,46	0,56	0,72	0,82	0,97	1,08	1,23

Approvals: PED + EN13445, other approvals on inquiry

GEA – Plate Heat Exchanger		Design Limits*		
Model	Plates	Solder	Temperature	Pressure
<input type="checkbox"/> GBS220H-...	1.4401	Copper	±200°C	30 bar

*Attention: Connections can reduce the design limits!

Zachnungsname, Benennung, Werkstoff, Abmessungen usw		Zeichnungsname		Reihenl.-, Modell-, Werkstoff.	
Gezeichnet	Vogt	Geprüft	Graichen	Genehmigt - datum	12.10.09
GEA Firmenname GEA WTT GmbH Remsoer Str. 2a 04603 Nobitz - Wilchwitz Germany Tel.: +49(0)3447-5539-0 / Fax: +49(0)3447-5539-30 www.gea-phe.com ecobr@ze.phe.de@geogroup.com		Zeichnungsname Plate Heat Exchanger GBS220H		Datum	10.01.09
		Zeichnungsnummer GBS220H-0812.0910.02-E		Maßstab	1:3
				Breit	

The manufacturer herewith certifies that construction, production and examination of his pressure vessel are in conformity with EU guideline 97/23/EC.