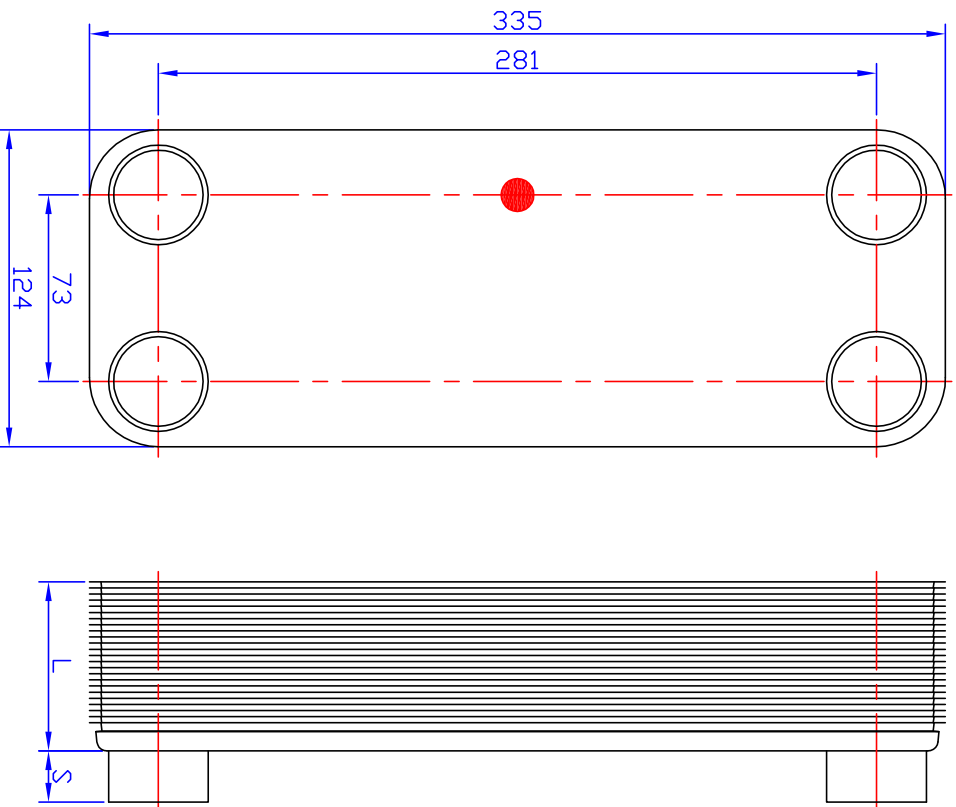


Primary Secondary



$L=9,5+2,24 \times N$   
(theoretical dimension)

Standard Connections		Length	Primary	Secondary
C-PTL	Size		<input type="checkbox"/>	<input type="checkbox"/>

External Thread			<input type="checkbox"/>	<input type="checkbox"/>	<input type="checkbox"/>	<input type="checkbox"/>	<input type="checkbox"/>
C	G3/4	S=20mm	<input type="checkbox"/>	<input type="checkbox"/>	<input type="checkbox"/>	<input type="checkbox"/>	<input type="checkbox"/>
E	G1	S=20mm	<input type="checkbox"/>	<input type="checkbox"/>	<input type="checkbox"/>	<input type="checkbox"/>	<input type="checkbox"/>
EL	G1	S=40mm	<input type="checkbox"/>	<input type="checkbox"/>	<input type="checkbox"/>	<input type="checkbox"/>	<input type="checkbox"/>
F	G1 1/4	S=20mm	<input type="checkbox"/>	<input type="checkbox"/>	<input type="checkbox"/>	<input type="checkbox"/>	<input type="checkbox"/>
FL	G1 1/4	S=40mm	<input type="checkbox"/>	<input type="checkbox"/>	<input type="checkbox"/>	<input type="checkbox"/>	<input type="checkbox"/>

Internal Thread			<input type="checkbox"/>	<input type="checkbox"/>	<input type="checkbox"/>	<input type="checkbox"/>
P	G3/4	S=20mm	<input type="checkbox"/>	<input type="checkbox"/>	<input type="checkbox"/>	<input type="checkbox"/>
R	G1	S=20mm	<input type="checkbox"/>	<input type="checkbox"/>	<input type="checkbox"/>	<input type="checkbox"/>

Solder Connections

NO	3/8" (ø9,9mm)	S=20mm	<input type="checkbox"/>	<input type="checkbox"/>	<input type="checkbox"/>	<input type="checkbox"/>
TZ	ø 10,3 mm	S=20mm	<input type="checkbox"/>	<input type="checkbox"/>	<input type="checkbox"/>	<input type="checkbox"/>
M	1/2" (ø13,0mm)	S=20mm	<input type="checkbox"/>	<input type="checkbox"/>	<input type="checkbox"/>	<input type="checkbox"/>
TX	ø 15,3 mm	S=20mm	<input type="checkbox"/>	<input type="checkbox"/>	<input type="checkbox"/>	<input type="checkbox"/>
O	5/8" (ø16,3mm)	S=20mm	<input type="checkbox"/>	<input type="checkbox"/>	<input type="checkbox"/>	<input type="checkbox"/>
TU	ø 18,3 mm	S=20mm	<input type="checkbox"/>	<input type="checkbox"/>	<input type="checkbox"/>	<input type="checkbox"/>
N	3/4" (ø19,5mm)	S=20mm	<input type="checkbox"/>	<input type="checkbox"/>	<input type="checkbox"/>	<input type="checkbox"/>
H	7/8" (ø22,35mm)	S=20mm	<input type="checkbox"/>	<input type="checkbox"/>	<input type="checkbox"/>	<input type="checkbox"/>
I	ø 28,35 mm	S=20mm	<input type="checkbox"/>	<input type="checkbox"/>	<input type="checkbox"/>	<input type="checkbox"/>
IA	1 1/8" (ø 28,7mm)	S=20mm	<input type="checkbox"/>	<input type="checkbox"/>	<input type="checkbox"/>	<input type="checkbox"/>
K	1 3/8" (ø 35,1mm)	S=20mm	<input type="checkbox"/>	<input type="checkbox"/>	<input type="checkbox"/>	<input type="checkbox"/>

Additional Connections on the Backplate (Internal Thread)

OZ	G 1/2	S=20mm	<input type="checkbox"/>	<input type="checkbox"/>	<input type="checkbox"/>	<input type="checkbox"/>
----	-------	--------	--------------------------	--------------------------	--------------------------	--------------------------

Other Connections on Inquiry!

No. of Plates	8	10	14	20	24	30	34	40	44	50	60
Weight Empty (kg)	2,6	2,9	3,4	4,2	4,7	5,5	6,0	6,8	7,3	8,1	9,4
Surface (m <sup>2</sup> )	0,21	0,28	0,42	0,63	0,77	0,98	1,12	1,33	1,47	1,68	2,03
No. of Plates	70	80	90	100							
Weight Empty (kg)	10,7	12,0	13,3	14,6							
Surface (m <sup>2</sup> )	2,38	2,73	3,08	3,43							

Approvals: PED + EN13445, other approvals on inquiry

GEA – Plate Heat Exchanger		Design Limits*	
Model	Plates	Solder	Temperature
GBS400H-...	1.4401	Copper	±200°C
			Pressure
			30 bar

\*Attention: Connections can reduce the design limits!



Firmname  
 GEA WTT GmbH  
 Remsder Str. 2a  
 04603 Nobitz – Wilchwitz Germany  
 Tel.:+49(0)3447-5539-0 / Fax:+49(0)3447-5539-30  
 www.gea-phe.com  
 ecobr@ze.phe.de@geagroup.com

Zachnungsname, Benennung, Werkstoff, Abmessungen usw	Gezeichnet	Geprüft	Genehmigt – datum	Datum	Kontroll- Modell- Werkstoff
	Vogt	Graichen	12.10.09	10.01.09	

Zeichnungsname  
 Plate Heat Exchanger GBS400H

Zeichnungsnummer  
 GBS400H-0812.0910.02-E

Maßstab  
1:3

The manufacturer herewith certifies that construction, production and examination of his pressure vessel are in conformity with EU guideline 97/23/EC.