
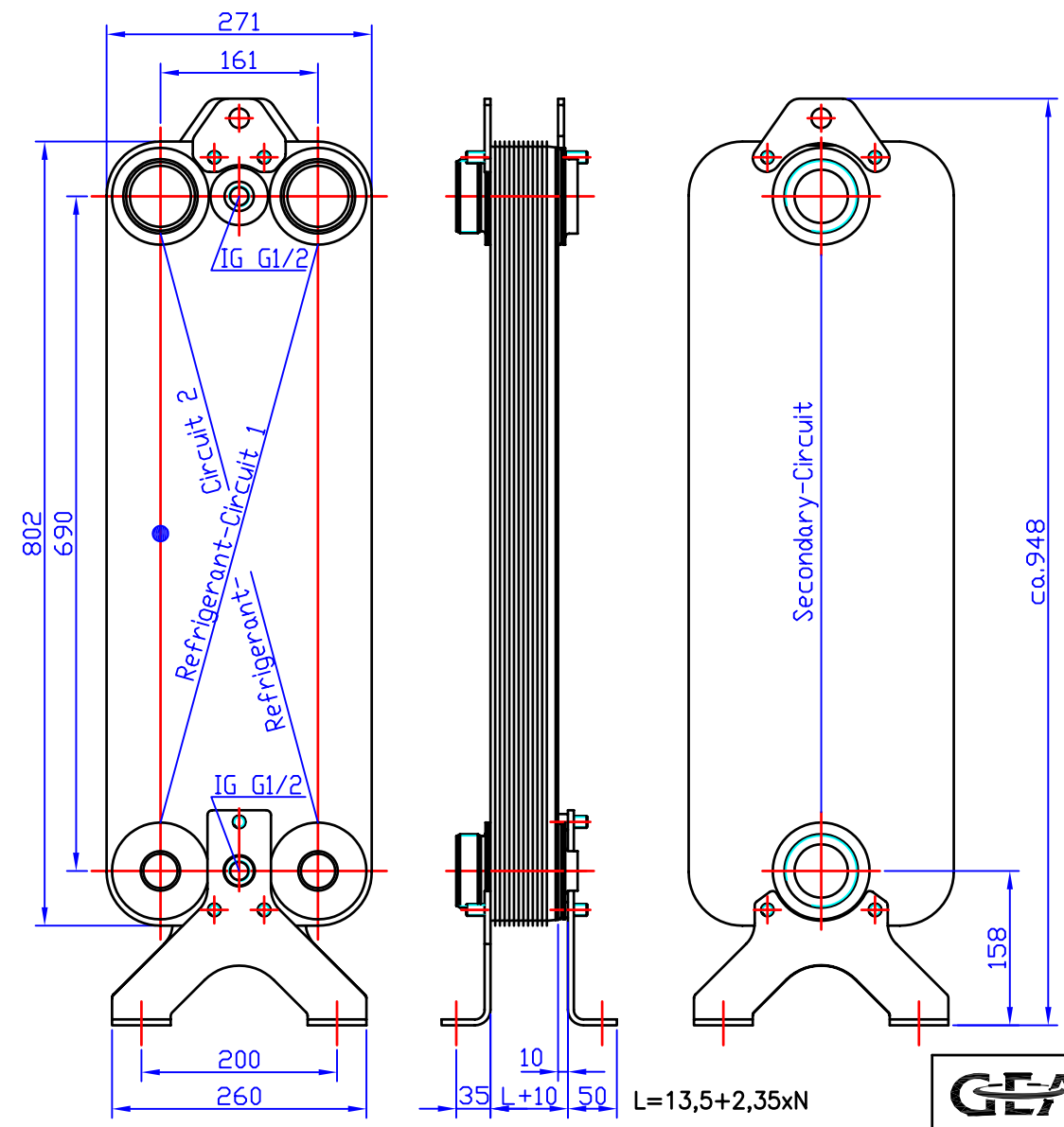


Standard Connections					
C-PTL	Size	Length	Primary (Refrigerant) Top	Secondary (Sole) Bottom	Secondary (Sole)
Compac-Flange (1.4404), incl. Counter-Flange (C22.8 od. 1.4404)					
SC	DN65 (40bar)	S=62mm	—	—	<input type="checkbox"/>
TGD	DN80 (40bar)	S=107,5mm	—	—	<input type="checkbox"/>
External Thread					
GL	G2	S=40mm	—	—	<input type="checkbox"/>
GA	G2 1/2	S=40mm	—	—	<input type="checkbox"/>
Solder Connections					
IA	1 1/8" (ø 28,7mm)	S=20mm	<input type="checkbox"/>	<input type="checkbox"/>	<input type="checkbox"/>
K	1 3/8" (ø 35,1mm)	S=20mm	<input type="checkbox"/>	<input type="checkbox"/>	<input type="checkbox"/>
LZ	1 5/8" (ø 42,1mm)	S=20mm	<input type="checkbox"/>	<input type="checkbox"/>	<input type="checkbox"/>
L	2 1/8" (ø 54mm)	S=20mm	<input type="checkbox"/>	<input type="checkbox"/>	<input type="checkbox"/>
ZB	64,3 mm	S=20mm	<input type="checkbox"/>	<input type="checkbox"/>	<input type="checkbox"/>
S	70,3 mm	S=20mm	<input type="checkbox"/>	<input type="checkbox"/>	<input type="checkbox"/>
LR	76,2 mm	S=20mm	<input type="checkbox"/>	<input type="checkbox"/>	<input type="checkbox"/>
LB	3 1/8" (ø79,2mm)	S=20mm	<input type="checkbox"/>	<input type="checkbox"/>	<input type="checkbox"/>
			<input type="checkbox"/>	<input type="checkbox"/>	<input type="checkbox"/>

\* Not possible for WP-TD9-AE!!!  
Other Connections on Inquiry!

No. of Plates	N= 22+4*X, X= 1...70				
Weight Empty (kg)	m= 12,8+0,8*N				
Surface (m <sup>2</sup> )	A= (N-2)*0,195				
No. of Plates					
Weight Empty (kg)					
Surface (m <sup>2</sup> )					

 <b>GEA WTT GmbH</b>			Zeichnungsname, Benennung, Werkstoff, Abmessungen usw. Graichen		Rohteil-, Modell-, Werkst.Nr. 10.01.2005	
Gezeichnet Graichen		Geprüft _____		Genehmigt - datum 10.01.2005		
Firmenname GEA WTT GmbH Remsaer Str. 2a 04603 Nobitz - Wilchwitz Germany Phone:+49(0)3447-5539-0/Fax:+49(0)3447-5539-30 www.geawtt.com / www.gea-ecobraze.se sales@geawtt.com / info@gea-ecobraze.se			Zeichnungsname <b>Plate Heat Exchanger Type TD9</b>			
Zeichnungsnummer <b>TD9-0501.0508.02-E</b>				Blatt _____		



GEA WTT - Plate Heat Exchanger Type TD9			Operating-	
Model	Stainless Steel	Solder	Temperature	Pressure
<input checked="" type="checkbox"/> WP-TD9-...	1.4404	Copper	± 195°C	30 bar
<input type="checkbox"/> WP-TD9-AE-...	1.4404	Copper	± 195°C	30 bar

The manufacturer herewith certifies that construction, production and examination of his pressure vessel are in conformity with EU guideline 97/23/EC.