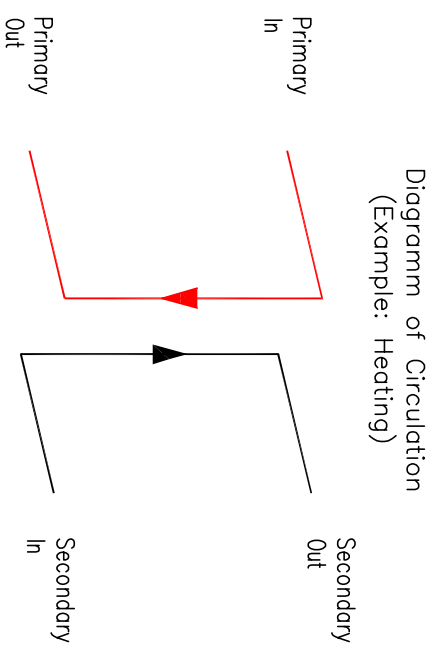
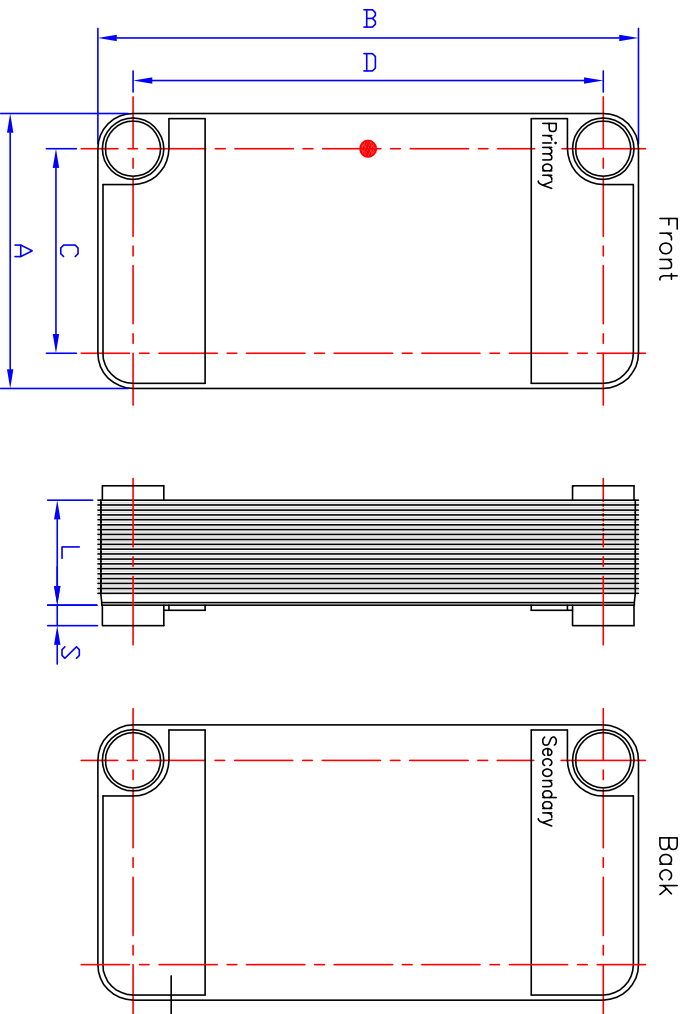


GEA WTT–Brazead Plate Heat Exchanger – Special Version “GBS...–X/GBH...–X”



Type	Dimensions (mm)				max. no. of Plates	
	A	B	C	D		
GBS/GBH						
100M	74	204	40	170	7,7+2,30xN	50
200H	90	231	43	182	10,65+2,35xN	50
220H	90	328	43	279	10,65+2,35xN	50
240H	90	464	43	415	10,7+2,30xN	50
300H	124	173	73	120	10,65+2,35xN	50
400H	124	335	73	281	10,7+2,30xN	100
500H	124	532	73	478	10,7+2,25xN	100
700M	271	532	200	460	11,15+2,35xN	150
700L	271	532	200	460	11,15+2,35xN	150
800H	271	532	161	421	11,15+2,35xN	260
900H	271	802	161	690	11,15+2,35xN	260
1000H	386	875	237	723	20,6+2,35xN	360

Type	Design Limits*		Material	
GBS/GBH	Temperature	Pressure	Solder	Plates
GBS	–200...+200°C	30 bar	Copper	1.4401
GBH	–200...+150°C	45 bar	Copper	1.4401
	–200...+200°C	40 bar		

\*Attention: Connections can reduce the design limits!

		Zeichnungsname, Bezeichnung, Werkstoff, Abmessungen usw.		Konkret-, Modell-, Werkstoff.	
		Gezeichnet	Gepflicht	Genehmigt - datum	Datum
K.Vogt		Graichen		10.05.2009	
Brazead Plate Heat Exchanger GB...-X			Zeichnungsnummer		
GBS...-X-0509,0509,01-E			Blatt		
Firmenname GEA WTT GmbH Remsauer Str. 2a 04603 Nobitz – Wilschwitz Germany Phone:+49(0)3447-5539-0/Fax:+49(0)3447-5539-30 www.geo-phe.com / info@geo-ecobraze.se sales@geowl.com					

The manufacturer herewith certifies that construction, production and examination of his pressure vessel are in conformity with EU guideline 97/23/EC.